

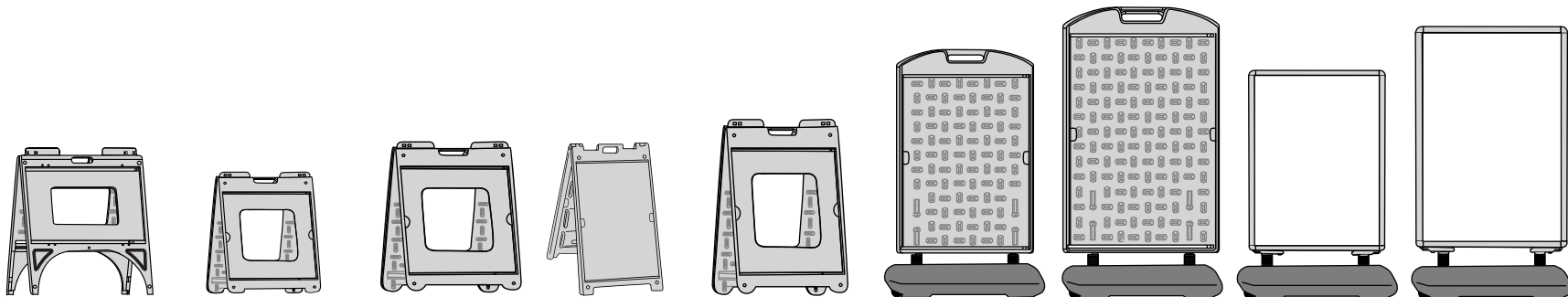
SIGN FRAMES

for ADVERTISING & PROMOTION

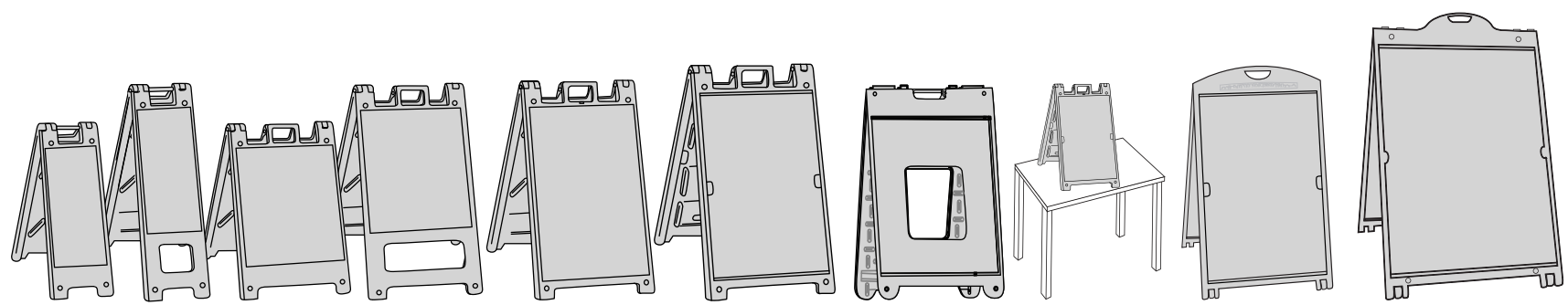
PLASTICADE®



PLASTICADE® Sign Frames & Blank Sizes

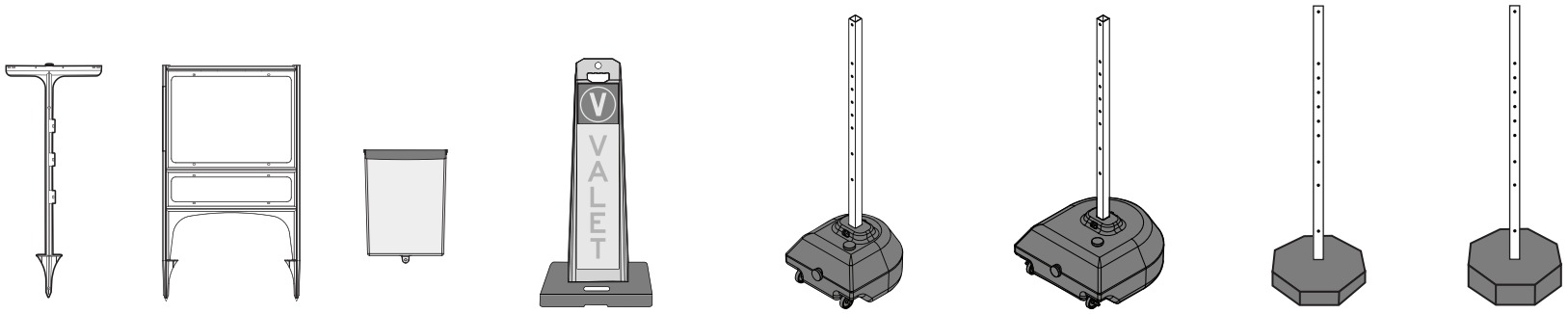


Quik Sign®	SimpoSquare™20	SimpoSquare™24	Signicade®MDX	SimpoSign®II	Wind Sign II	Wind Sign Deluxe	Wind Sign II	Wind Sign Deluxe
24" x 18" w/riider 22" x 6" or larger	20" x 20" w/riider 22" x 6" or larger	24" x 24" w/riider 26" x 6" or larger	18" x 24"	22" x 28" w/riider 24" x 6" or larger	24" x 36"	28" x 44"	24" x 36"	28" x 44"
					Quick-Change™ Frames		Snap Frames	
Colors:	Colors:	Colors:	Colors:	Colors:	Colors:	Colors:	Colors:	Colors:



Minicade®	Narrowcade®	Squarecade™36	Squarecade™45	Signicade®	Signicade®Deluxe	Econo Classic	Mini Signicade®Deluxe	The Metropolitan™	The Billboard™
12" x 24"	12" x 24"	24" x 24"	24" x 24"	24" x 36"	24" x 36"	24" x 36"	Countertop Frame 8.5" x 11"	24" x 36" w/riider 26.5" x 9" or larger & Side Signs	36" x 48" w/riider 38.5" x 10" or larger & Side Signs
Colors:		Colors:		Colors:	Colors:	Colors:	Colors:	Colors:	Colors:

Real Estate & Parking Lot Sign Holders



T-cade™	Realicade®	Brochure Box	Gemstone™ Valet & Parking Lot Signs	Rock-It™ 18 Portable Post Sign Stand	Rock-It™ 24 Portable Post Sign Stand	30 lb. Rubber Base & Post	60 lb. Rubber Base & Post
Various	24" x 18" w/rider 24" x 6"	8.5" x 11"	8" x 36"	base: 18" x 19.5" post: 60"H	base: 24" x 25.5" post: 60"H	base: 18.5" x 18.5" post: 60"H	base: 18.5" x 18.5" post: 60"H
Colors:	Colors:	Colors:	Colors:	Post Colors: Base Colors:	Post Colors: Base Colors:	Post Colors: Base Colors:	Post Colors: Base Colors:



Unique Quick-Change™ Feature

Slides in easily...



...and stays securely in place.



This icon will appear with the Plasticade signs that have the Quick-Change™ feature.
US Patent # 7,337,569

No clips, bolts, latches or added parts. Can use all rigid sign blanks up to 3/16" thick, including Coroplast™ and aluminum.



**HOLDS
24" x 36"
SIGNS**



MESSAGING

- Six Signs per frame.
 - two 24" x 36" signs
 - two side signs
 - two sided top rider
- Wheels for easy movement.
- Quick-Change™ feature, slide in a sign in seconds.
 - use rigid material 3/16" thick or less
- Arched top design.
 - invisible hinges
- Stay Tabs™ ensure signs stay securely in place.
- Customizable nameplate.
- Can internally weight with dry sand.



Wheels

Sign	The Metropolitan™
Dimensions	26.72"W x 45.54"H
Blank Size	24" x 36"
Colors	White, Black
Weight	24 lbs.



Signicade®
6 square feet/side
Main Sign Message Area

The Billboard™
12 square feet/side
Main Sign Message Area



**HOLDS
36" x 48"
SIGNS**



MESSAGING

- Twice as big as a Signicade®
 - perfect for eye-catching outdoor advertising
- Six signs per frame.
 - two 36" x 48" signs
 - two side signs
 - two sided top rider
- Wheels for easy movement indoors and out.
 - no installation necessary
- Quick-Change™ feature, slide in a sign in seconds.
 - use rigid sign material 3/16" thick or less
- Durable and sturdy.
- Stay Tabs™ ensure signs stay securely in place.
- Can internally weight with dry sand.



Wheels

Sign	The Billboard™
Dimensions	38.8"W x 57.9"H
Blank Size	36" x 48"
Colors	White, Black
Weight	45 lbs.

Signicade® Deluxe

Signicade® MDX

Mini Signicade® Deluxe



**HOLDS
24" x 36"
SIGNS**

- Display two signs per unit.
- Quick-Change™ feature, slide in a sign in seconds.
 - use rigid material 3/16" thick or less
- Stay Tabs™ ensure signs stay securely in place.
- No maintenance - all plastic, use indoors and out.
- No tape Velcro®, or screws needed - eliminates fastener damage to signs.
- Can internally weight with sand.
- Hinges lock in open position.
 - prevents over-extended sign faces



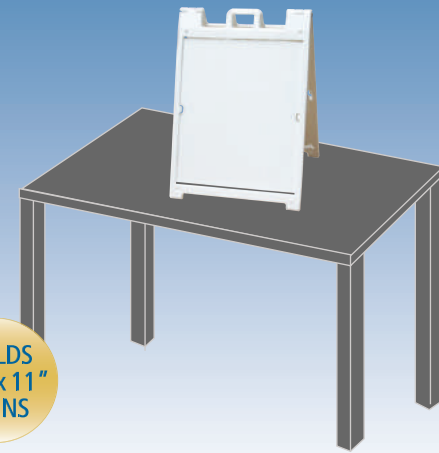
Sign	Signicade® Deluxe
Dimensions	27"W x 46.125"H
Blank Size	24" x 36"
Colors	White, Black
Weight	20 lbs.



**HOLDS
18" x 24"
SIGNS**

- Medium sized version of Signicade Deluxe
- Narrow footprint.
- Easy to move.
- Display two signs per unit.
- Quick-Change™ feature, slide in a sign.
 - use rigid material 3/16" thick or less
- No tape Velcro®, or screws needed.
 - eliminates fastener damage to signs.
- Stay Tabs™ ensure signs stay securely in place.
- Can internally weight with sand.

Sign	Signicade® MDX
Dimensions	20"W x 31.5"H
Blank Size	18" x 24"
Colors	White, Black
Weight	8 lbs.



**HOLDS
8.5" x 11"
SIGNS**

- All plastic countertop sign frame.
- Holds two 8.5"W x 11"H signs.
- Easy to slide in a sign.
 - no adhesive needed
- Comes with two clear acrylic cover sheets.
 - keeps paper signs clean
 - use as a marker board with wet erase markers



Sign	Mini Signicade® Deluxe
Dimensions	9.5"W x 13.65"H
Blank Size	8.5" x 11"
Colors	White
Weight	.9 lbs.

Wind Signs with Snap Frame

Wind Signs with Quick-Change™ Frame

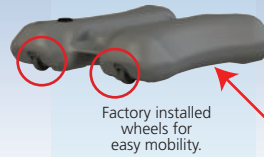
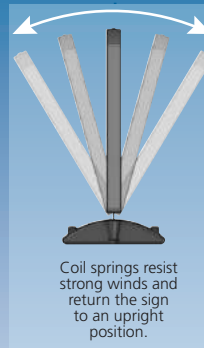


WIND SIGN DELUXE WITH SNAP FRAME

WIND SIGN II WITH SNAP FRAME



Also available in gloss black



Factory installed wheels for easy mobility.

**NEW BASE!
Improved Stability**



WIND SIGN DELUXE WITH QUICK-CHANGE™ FRAME

WIND SIGN II WITH QUICK-CHANGE™ FRAME



- Display two signs per unit.
- Springs connect the frame to the base allowing sign to resist strong winds and return to an upright position.
- Sand fillable plastic base with factory installed wheels.
- Perfect for paper or thin gauge signs.
- Satin aluminum frame, clear PVC protective sign cover.
- Tool free assembly.
- Available in two sizes.



Snap open, place graphic, snap close!



Clear cover is provided to keep poster clean. When used outdoors, weatherproof sign material should be used.

- Display two signs per unit.
- Quick-Change™ feature, slide in a sign
- Springs connect the frame to the base allowing sign to resist strong winds and return to an upright position.
- Sand fillable plastic base with factory installed wheels.
- Accepts rigid sign material less than 3/16" thick.
- Stay Tabs™ ensure signs stay securely in place.
- Tool free assembly.
- Available in two sizes.

Sign	Wind Sign II w/ Snap Frame	Wind Sign II w/ Quick-Change™	Wind Sign Deluxe w/ Snap Frame	Wind Sign Deluxe w/ Quick-Change™
Dimensions (Frame Only)	26" W x 38" H	26" W x 42.9" H	30" W x 46" H	30" W x 51" H
Dimensions (Base Only)	29.5" W x 6.25" H x 24" D	29.5" W x 6.25" H x 24" D	29.5" W x 6.25" H x 24" D	29.5" W x 6.25" H x 24" D
Dimensions Assembled	29.5" W x 40.5" H	29.5" W x 50.5" H	30" W x 54.5" H	30" W x 58.5" H
Blank Size	24" x 36"	24" x 36"	28" x 44"	28" x 44"
Colors	Satin Silver or Gloss Black Frame with Grey Base	Grey	Satin Silver or Gloss Black Frame with Grey Base	Grey
Total Weight Assembled	30 lbs.	26 lbs.	34 lbs.	31 lbs.
Weight (Base Only)	10 lbs.	10 lbs.	10 lbs.	10 lbs.
Sign Substrate Weight	Max. of 5 lbs./side	Max. of 5 lbs./side	Max. of 5 lbs./side	Max. of 5 lbs./side



**HOLDS
24" x 36"
SIGNS**

- All plastic sign stand, display two signs per unit.
- Recessed sign area helps to protect sign faces and can receive vinyl sheeting (with surface preparations), metal, or plastic sign blanks.
- Can internally weight with dry sand.
- Molded-in handle for easy portability.
- Stacking lugs facilitate handling by keeping stacked units from sliding.

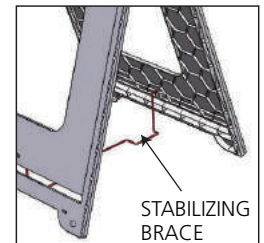


Sign	Signicade®
Dimensions	25"W x 45"H
Blank Size	24" x 36"
Colors	White, Black, Yellow, Orange, Red, Green, Blue
Weight	18 lbs.



**HOLDS
24" x 36"
SIGNS**

- All plastic sign stand, display two signs per unit.
- Quick-Change™ feature, slide in a sign in seconds.
 - use rigid sign material 3/16" thick or less
- Easy to carry indoors and out due to molded handle and weight of 11.5 lbs.
- Stabilizing brace prevents the accidental or intentional spreading or closing of the sign faces. The brace rests on the ground when in use and can hold a sandbag or other weight to secure the sign stand.



Sign	Econo Classic
Dimensions	26.5"W x 42.75"H
Blank Size	24" x 36"
Colors	White
Weight	11.5 lbs.

Squarecade™ 45 & 36



HOLDS
24" x 24"
SIGNS

- All plastic signs, great for advertising wherever a smaller sign is needed.
- Recessed sign area helps to protect sign faces and can receive vinyl sheeting (with surface preparations), metal, or plastic sign blanks.
- Patented locking hinge keeps the sign stand open.
- Can internally weight with dry sand.
 - additional sandbags can be added to the Squarecade™45 cross bar.



Sign	Squarecade™45	Squarecade™36
Dimensions	25" W x 45" H	25" W x 36" H
Blank Size	24" x 24"	24" x 24"
Colors	White, Yellow, Orange	White, Yellow, Orange
Weight	18 lbs.	17 lbs.

Narrowcade® & Minicade®



HOLDS
12" x 24"
SIGNS

- Small and light, these sign stands are great for school crossings, directional signs, or any narrow advertising space.
- Can internally weight with dry sand.
- Receives vinyl sheeting (with surface preparation), metal, or plastic sign blanks.

PERFECT FOR SMALL SPACES



Sign	Narrowcade®	Minicade®
Dimensions	13" W x 45" H	13" W x 36" H
Blank Size	12" x 24"	12" x 24"
Colors	White, Yellow, Orange	White, Yellow, Orange
Weight	11 lbs.	10 lbs.

SimpoSign® II

SimpoSquare™ 20 & 24

Quik Sign®



HOLDS
22" x 28"
SIGNS
plus rider



HOLDS
20" x 20"
SIGNS
plus rider

HOLDS
24" x 24"
SIGNS
plus rider



HOLDS
24" x 18"
SIGNS
plus rider

- Quick-Change™ feature, slide in a sign in seconds.
 - use rigid sign material 3/16" thick or less
- Stay Tabs™ ensure sign stays securely in place.
- Grabber hinges hold a sign rider.
 - keep frame from opening too far
- Textured feet help to secure frame on smooth surfaces and dig into soft ground or gravel.
- Internally ballast with up to 6 lbs. of dry sand.
- All plastic - no rust, splinter, discoloration or maintenance.
- Stabilizing Brace prevents the accidental or intentional spreading or closing of the sign face.



- Quick-Change™ feature, slide in a sign in seconds.
 - use rigid sign material 3/16" thick or less
- Blanks quickly slide in and out an stay securely in place - no clips, bolts or added parts.
- Grabber hinges hold a sign rider.
 - keep frame from opening too far
- Stay Tabs™ ensure sign stays securely in place.
- Textured feet help to secure frame on smooth surfaces and dig into soft ground or gravel.
- Internally ballast with up to 6 lbs. of dry sand.



- Quick-Change™ feature, slide in a sign in seconds.
 - use rigid sign material 3/16" thick or less
- Blanks quickly slide in and out an stay securely in place - no clips, bolts or added parts.
- Molded-in stacking lugs nest into each other when units are stacked which prevents sliding.
- All plastic - no rust, splinters, discoloration, or maintenance.
- Stabilizing Brace prevents the accidental or intentional spreading or closing of the sign face.



Sign	Simpo® Sign II
Dimensions	24.375"W x 37.25"H
Blank Size	22" x 28"
Colors	White, Black
Weight	10 lbs.

Sign	Simpo® Square 20	Simpo® Square 24
Dimensions	22"W x 26.4"H	26"W x 32.3"H
Blank Size	20" x 20"	24" x 24"
Colors	White, Black	White, Black
Weight	5.5 lbs.	7 lbs.

Sign	Quik Sign®
Dimensions	26"W x 30.5"H
Blank Size	24" x 18"
Colors	White, Black
Weight	6.8 lbs.

MULTIPLE MOUNTING HOLES FOR VARIOUS SIZE SIGNS



HOLDS 18" x 24" SIGNS plus 6" x 24" rider

- All plastic.
 - strong, durable, and lightweight
- No rust, no splinters, no fading, no painting.
- Easy install, transport, and carry.
 - won't catch on or tear car interior
- Print on both sides of signs.
- Slide in a sign panel, tabs hold it in place.
 - recommend using X-mas Tree Fasteners or nuts and bolts to secure sign
- Multiple mounting holes.
 - for affixing standard sign panels
- Use with a rigid sign 3/16" thick or less.
 - accepts aluminum, pvc, steel, and corrugated plastic sign panels

REALICADES



T-CADE



Sign	T-cade™	Realicade®
Dimensions	42.5"H x 17.25"W	45.75"H x 26.75"W
Blank Size	Various	18" x 24"
Colors	Black	White, Black
Weight	1.8 lbs.	3.8 lbs.



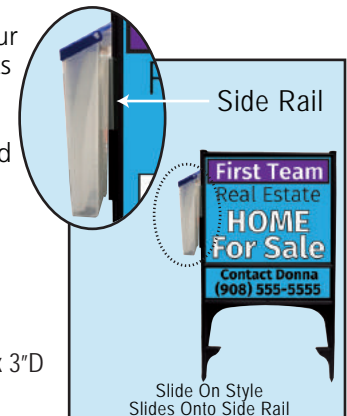
Available in Two Styles

Bolt On Style

Slide On Style



- Outdoor brochure box.
- Sturdy plastic.
- Frosted box with blue lid.
- Weather resistant.
- Ventilation holes on bottom prevent condensation.
- Hold 8.5" x 11" flyers.
 - 1.75" deep, holds over 300 single sheets
- Two styles
 - Slide On Style, slides onto our yard signs, no screws or bolts needed.
 - Bolt On Style, has 3 holes to attach to metal or wood yard signs, includes hardware.

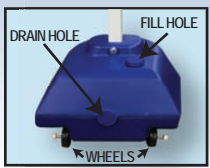


Overall Dimensions: 10"W x 13.5"H x 3"D
Weight: 1 lb.

Gemstone™ Valet & Parking Lot Signs

ROCK-IT™ SIGN STAND Rock It Back & Roll

Portable Posts with Rubber Bases



Sold in Sets: Base with Plastic Square Power Post™



- Reflective signs applied to black Gemstone™ Vertical Panel
 - double sided
 - engineer grade reflective signs
 - recessed sign surface, reduces damage to signs
- Oversized handle with comfort grip
 - easily pick up sign with base attached
- Designed to withstand repeated impacts from vehicles
 - Gemstone™ sidewall provides strength & durability
- Recycled rubber base slides down over sign panel
- Stackable with or without rubber base

- Durable, thick walled plastic bases
 - won't chip, crack, or crumble
- Rock it back and roll, pre-installed wheels
 - easy to move when weighted
- Withstands strong winds without tipping over when filled with sand
 - Rock-It 18 holds up to 150 lbs. of sand
 - Rock-it 24 holds up to 250 lbs. of sand
- Conveniently placed large fill hole and drain hole

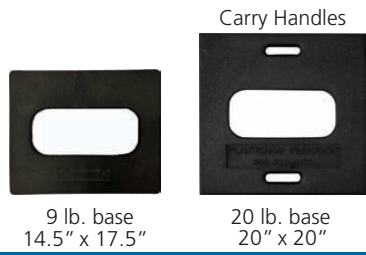
- Durable recycled rubber bases
 - can be stacked to increase weight
 - resistant to weather, oil, salt, moisture, and UV light
 - will not warp, chip, or crack
- Optional wheels
 - make moving signs easy
 - heavy duty, non-scratch plastic wheels
- Withstands strong winds without tipping over



- Square plastic Power Post™ makes attaching signs easy
 - 60" H
 - lightweight and impact resistant, 1.75" W
 - no sign twisting which can occur with round poles
 - will never rust or need painting
 - predrilled holes for multiple sign sizes
 - mounting hardware included

Space Saving Design

Sign	Gemstone™
Dimensions	14.75" W x 44.5" H
Sign Size	8" x 36"
Colors	Black
Base Weights	9 & 20 lbs.



Sign	Rock-It™ 18	Rock-It™ 24	30 lb. Rubber Base	60 lb. Rubber Base
Dimensions	18"Wx12.8"Hx19.5"L	24"Wx12.8"Hx25.5"L	18.5"x 18.5"x 2.8"H"	18.5"x 18.5"x 4.5"H"
Sign Size	various	various	various	various
Base Colors	Black, Yellow, Blue	Black, Yellow, Blue	Black	Black
Post Color	White	White	White	White
Weight	6 lbs.	15 lbs.	30 lbs.	60 lbs.

Message Boards

Marker Boards



Message Boards	
Size	22"W x 28"H
Color	White
Uses	Simpo Sign II

Size	24"W x 36"H
Color	White
Uses	Signicade, Signicade Deluxe, Econo Classic, Wind Sign II with Quick-Change™ Frame,

Size	28"W x 44"H
Color	White
Uses	Wind Sign Deluxe with Quick-Change™ Frame

- Coroplast™ Message Board comes with tracks permanently attached and an indexed storage box for letter storage. 2 boards per kit.

- Letter set contains over 300 letters and numbers plus "SALE" and "SPECIAL" headers and more.



Marker Boards	
Size	22"W x 28"H
Color	White, Black
Uses	Simpo Sign II

Size	24"W x 36"H
Color	White, Black
Uses	Signicade, Signicade Deluxe, Econo Classic, Wind Sign II with Quick-Change™ Frame,

- Marker Board kits include 2 sheets of Coroplast™ and 1 set of 5 neon wet erase markers.

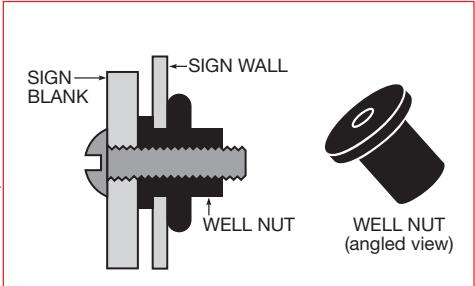
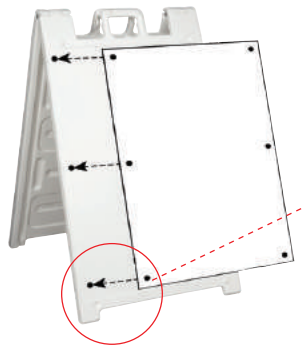
- Markers will not rub off or wash off in the rain (remove with any glass cleaner with ammonia.)



Accessories

WELL NUTS

The use of well nuts on the sign stands makes changing signs easier by providing permanent mounting holes. Use on: Signicade, Squarecades, Narrowcade, and Minicade. (Available in packs of 20 or 100)



FUNNEL

A funnel can be purchased for ease of pouring dry sand in the Signicade, Signicade Deluxe, Signicade MDX, The Metropolitan, The Billboard, SimpoSign II, SimpoSquare 20 & 24, Wind Signs, Squarecades, Rock-It, Narrowcade, and Minicade.

